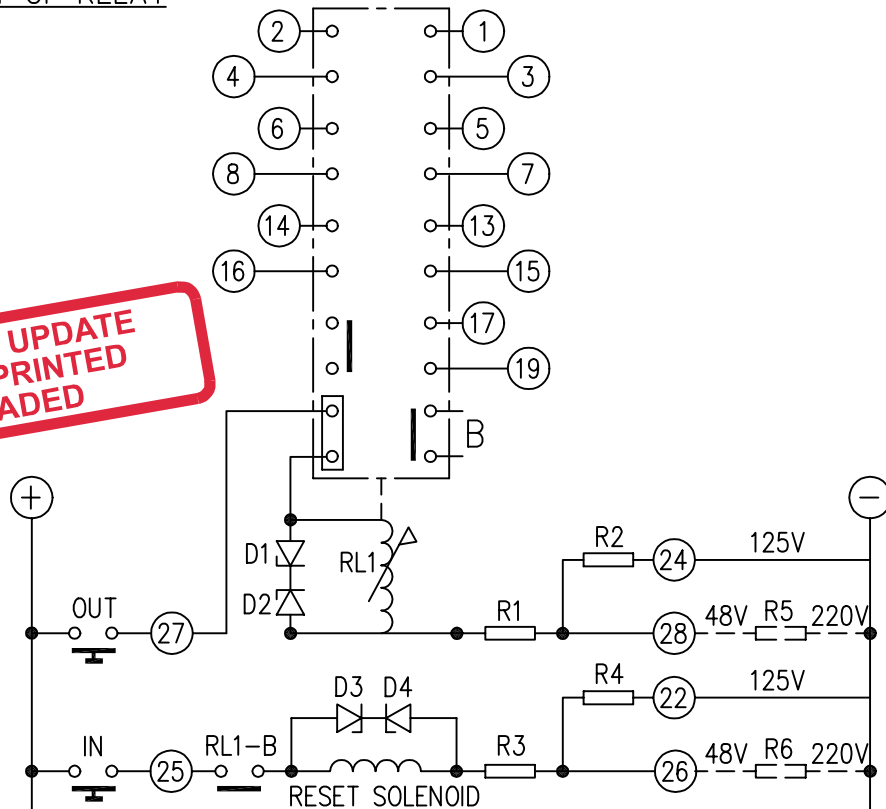


LOOKING ON FRONT OF RELAY

2112W50016

**NOT SUBJECT TO UPDATE
ONCE COPIED / PRINTED
OR DOWNLOADED**



KEY

- ○ make contact
- break contact
- ○ c/o contact
- ② ext. conn
- ⌋ plug bridge - shorting
- ⊙ metering point
- ⌋ 5Kv barrier
- ⌋ test socket - shorting
- ⊙ plug & socket

	150R	2102C25151	1K0	2102C25102	220R	2102C35221	820R	2102C25821	3K7	ASSY 410A14132	2K3	ASSY 410A12727	2105C23750	2105C24680
	R1		R2		R3		R4		R5		R6		D1&D2	D3&D4
CONTACT CONFIG.	OUTPUT CONTACT PAIR / TERMINAL No.													
	1-3	2-4	5-7	6-8	9-11	10-12	13-15	14-16	17-19	18-20				
7M	M	M	M	M			M	M	M					
6M 1B	M	B	M	M			M	M	M					
5M 2B	B	B	M	M			M	M	M					
4M 3B	B	B	M	B			M	M	M					
3M 4B	B	B	B	B			M	M	M					
2M 5B	B	B	M	M			B	B	B					
1M 6B	B	B	M	B			B	B	B					
	7B	B	B	B			B	B	B					

NOTE:
 1. FOR CONTACTS NOT SHOWN AS EITHER MAKE OR BREAK SEE TABLE.
 2. RELAY CONTACTS ARE SHOWN WITH THE MECHANISM 'IN' ie. WITH THE OPERATE ELEMENT ARMATURE OPEN.

FRAME REFERENCE: E4FS06.

FRAME TERMINAL BLOCK ASSY: -

ASSEMBLY INSTRUCTIONS: -
 TYPICAL ASSEMBLY DRAWING 2995G10032.
 AT INDICATED POSITIONS FIT AS FOLLOWS:
 T - FIT TRIP ISOLATION CONTACT 2995B10053
 S - FIT STANDARD CONTACT 2995B10054
 SECURE CONTACTS USING FIXING SCREW 2109F99009.
 POSITIONS SHOWN BLANK ARE UNUSED

2	T	T	1
4	T	T	3
6	T	T	5
8	T	T	7
10			9
12			11
14	T	T	13
16	T	T	15
18		T	17
20		T	19
22	T		21
24	T		23
26	S	S	25
28	S	S	27

VIEW FROM NUMBERED SIDE OF BLOCK

OUTER TERMINAL BLOCK ASSY: -

ASSEMBLY INSTRUCTIONS: -
 TYPICAL ASSEMBLY DRAWING 2995G10029.
 AT INDICATED POSITIONS FIT AS FOLLOWS:
 S - FIT STANDARD CONTACT 2995B10051
 HC - FIT 'HEAVY CURRENT' KIT 2995G10030
 WHERE ⊙-⊙ IS SHOWN FIT CT SHORTING KIT 2995G10031
 POSITIONS SHOWN BLANK ARE UNUSED.
 ALL POSITIONS FIT SCREW 2106F12506.

2	S	S	1
4	S	S	3
6	S	S	5
8	S	S	7
10			9
12			11
14	S	S	13
16	S	S	15
18		S	17
20		S	19
22	S		21
24	S		23
26	S	S	25
28	S	S	27

VIEW FROM INSIDE FACE

2	02/05/00	MN995/09	Title: T.B. AND WIRING DIAG. FOR TR431-7 RELAYS IN EPSILON E4 CASE.		First used on:
			Reyrolle Protection Hebburn.		Similar Articles:
ISSUE	DATE	MOD.No.	Original Scale:	Drg.No.	2112W50016
DRAWN: A.LAW.	CHECKED:	APPROVED: R.D.WATSON	DATE: 16/07/02	Copyright © 1998	Reyrolle Ltd